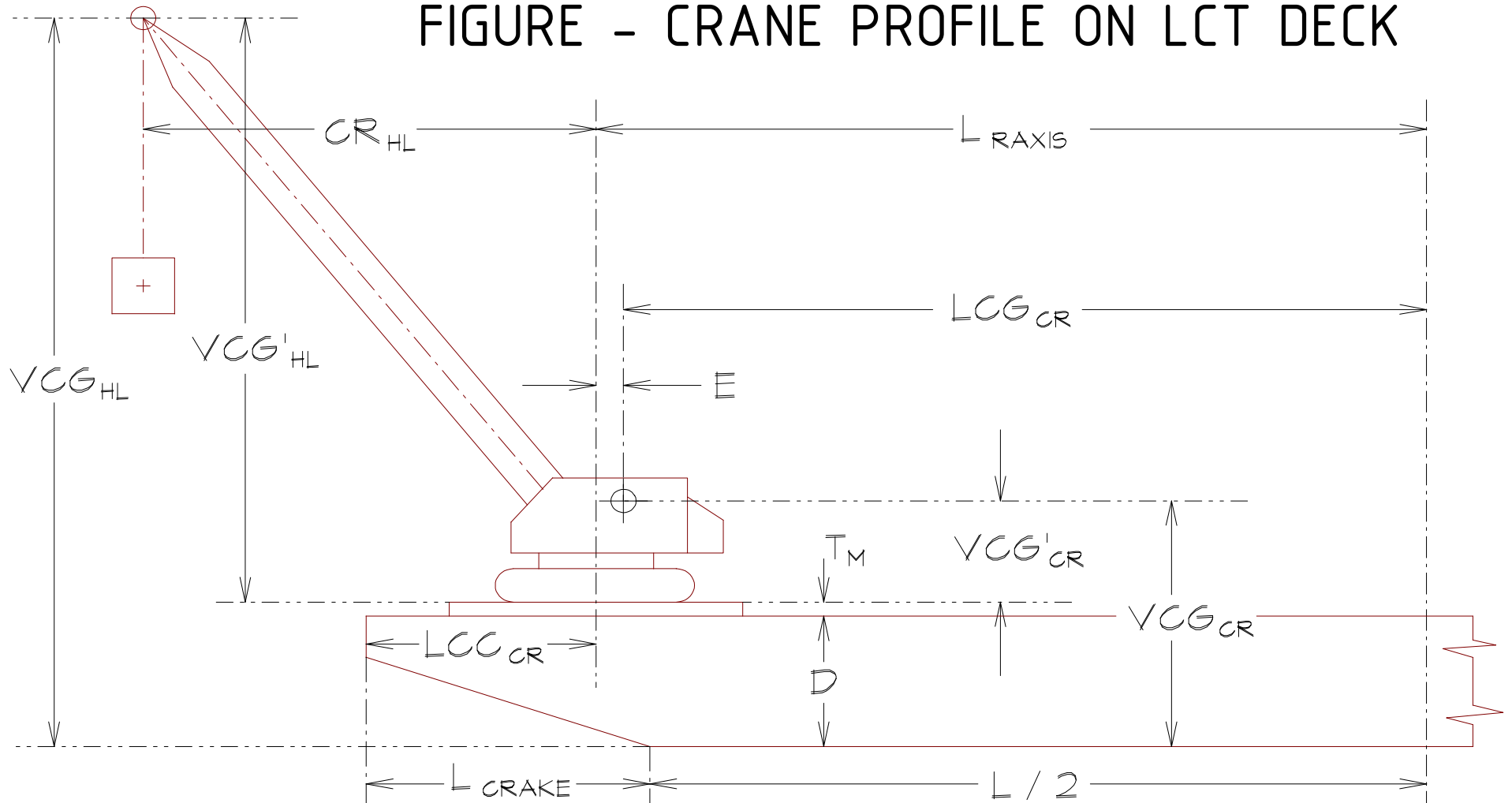


Inputs Sheet 2

Vessel: LCT. SURYA AGUNG 2

FIGURE - CRANE PROFILE ON LCT DECK



FOR QBRG-E EXCEL TEMPLT

FIGURE-A.DW2

LAST DATED: 24 APR. 2014

AMIDSHIPS  
OF LENGTH  
WITHOUT RAKES